

### Minimisation of wear and optimum surface protection for functional parts with a HASCO DLC coating

DLC-coated HASCO standard mould units offer ideal conditions with regard to friction, wear and lubrication.

Optimum tribological properties significantly improve the mould surface life and help to minimise wear and tear. They thus make an important contribution to increasing the productivity of your moulding tools.

- Ideal for use in the food and medical segments
- Production without lubrication
- Good slip properties through low friction coefficients
- Maximum corrosion protection
- Extended maintenance intervals, improved service life
- No extra tolerances due to the coating
- Maximum quality guarantee

#### DLC-coated ejecting and demoulding elements



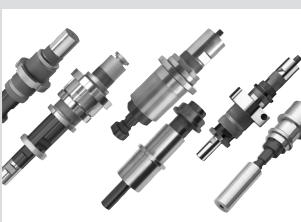
**Z18110/...**  
**Inclined sliding carriage**  
The smallest inclined sliding carriage on the market with forced mechanical control.



**Z400/... Ejector pin**  
**Z457/... Ejector sleeve**  
No accumulation of grease at the end of the ejector.

**Z4650/... Flat ejector pin with corner radius**  
For wire-cut breakthroughs.

**Z169/... - Z1698/...**  
**Two-stage ejectors**  
Optimised positive interlocking mechanism.



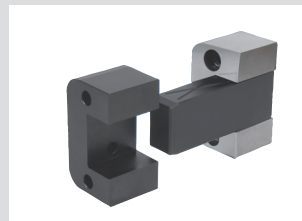
**Z170/..., Z171/... and Z174/... Latch lock units**  
For a second mould parting level.



#### DLC-coated guide elements



**Z040/..., Z031/...**  
**Locating guide pillar**  
Prevents inadequate lubrication, minimises mould failure.



**Z071/..., Z072/...**  
**Square guide bar with guide retainer**  
Minimal tolerances for reliable guiding and centring.

**Z085/...**  
**Flat locating unit**  
Locking against shearing forces in the tool.

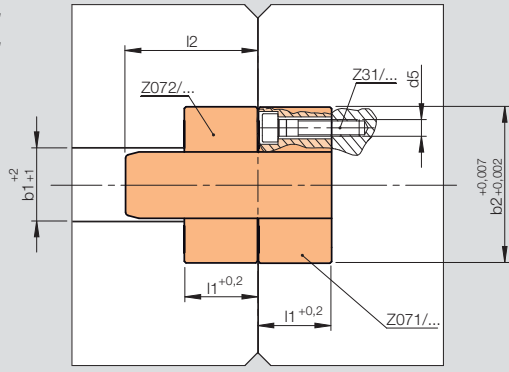


**Z09/... Locating unit**  
Guides and centres precisely where it matters: in the cavity.

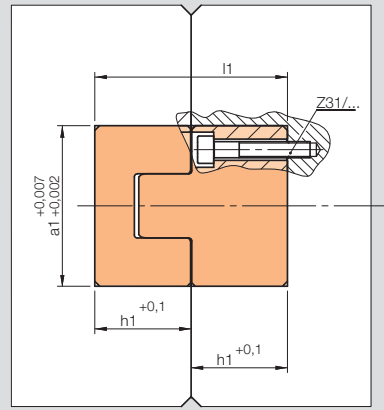


# Mounting, function

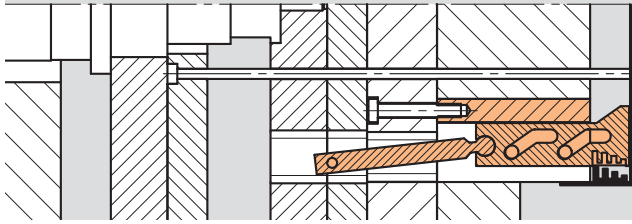
Z071/...  
Z072/...



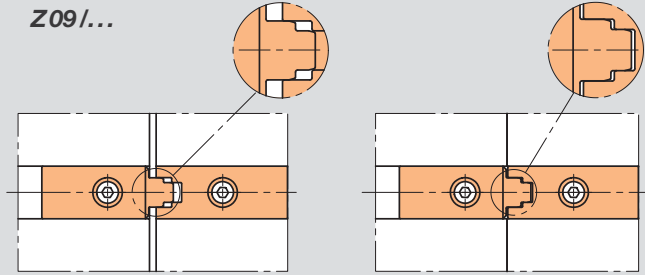
Z085/...



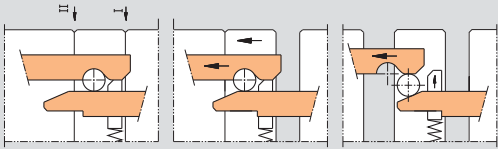
Z18110/...



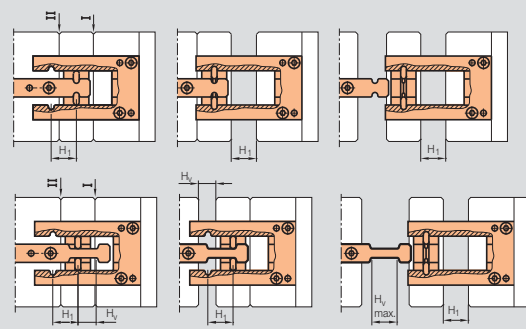
Z09/...



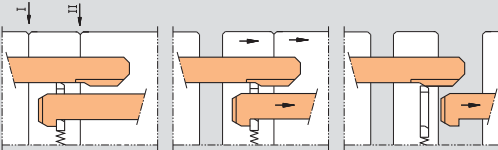
Z170/...



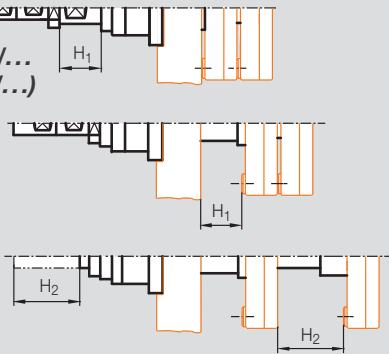
Z174/...



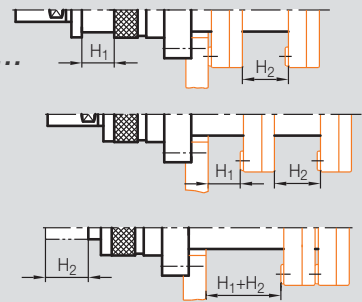
Z171/...



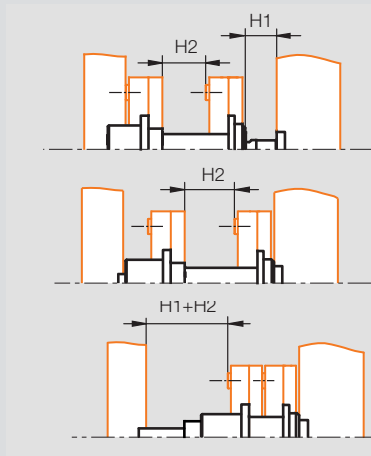
Z1691/...  
(Z169/...)



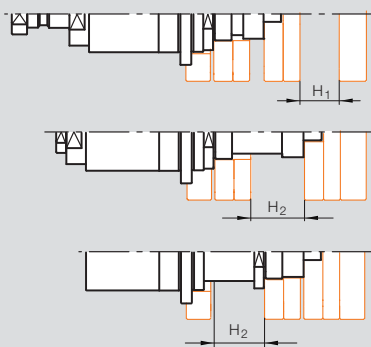
Z1695/...



Z1698/...



Z1692/...



Z1697/...

